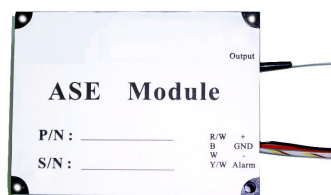


ASE optical source



Applications

Optical fiber sensing
Optical fiber passive component spectrum testing
Optical fiber grating, DWDM, filter testing
Optical fiber measurement equipments

Features

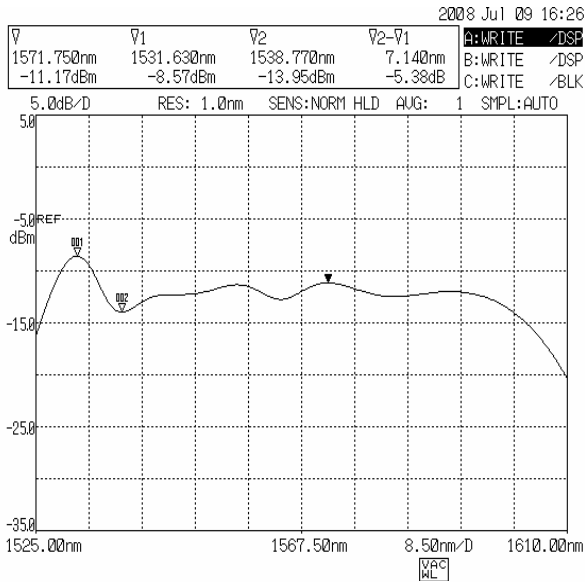
High output power
High stability
Broadband spectrum output, covering C band and C+L band

Specifications

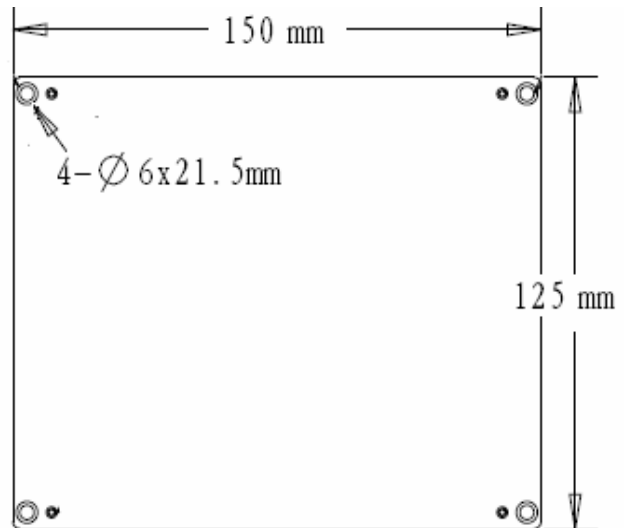
Parameters	ASE-C+L
Operating wavelength (nm)	1525 ~ 1610
Output power (dBm)	10 ~ 25.0
Spectral density (dBm/nm)	≥ -17
Spectral stability (dBm/nm)	≤ ±0.01(5 min)
Output power short-term stability (dB)	≤ ±0.01(5 min)
Output power long-term stability (dB)	≤ ±0.03(8 hour)
Pigtail fiber	SMF-28
Connector type	FC/PC, FC/UPC or FC/APC
Operating temperature (°C)	0 ~ +65
Storage temperature (°C)	-20 ~ +70
Relative humidity (%)	20 ~ 80
Power Supply	110/220V AC, +5V DC, Driving current >500mA; ΔV < 1%
Maximal Power Consumption	10W
Dimensions (L×W×H mm)	150×125×31, 320×220×90

Remark: Stability is tested at room temperature $25 \pm 2^\circ\text{C}$ after pre-heating 30 minutes.

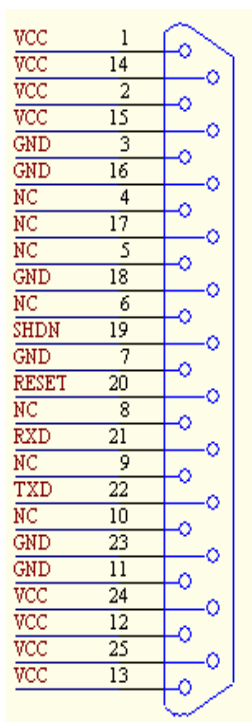
1. Test condition: fixed temperature, CW.
2. Test condition: temperature variation $\pm 2^\circ\text{C}$, CW.



Typical spectrum



Installation of Module



Definition of Connector

Pin	Discription	Pin	Discription
1	5 power(±10%)	14	5 power(±10%)
2	5 power(±10%)	15	5 power(±10%)
3	Ground	16	Ground
4	NC	17	NC
5	NC	18	Ground
6	NC	19	Pump LaserModule On/Off 1: OFF 0: ON
7	Ground	20	Reset Input 1: Enable 0: Disable
8	NC	21	RS-232 Input(TTL)
9	NC	22	RS-232 Output (TTL)
10	NC	23	Ground
11	Ground	24	5 power(±10%)
12	5 power(±10%)	25	5 power(±10%)
13	5 power(±10%)		

Ordering Information

ASE-C+L	Type	Output Power	GFF	Connector
	M=Module D=Desk-top	10=10dBm 13=13dBm 20=20dBm etc	G=GFF N=Without GFF	FC/UPC FC/APC etc