

980nm High Power Isolator



Features

Low Insertion Loss
 High Isolation
 High Power Handling
 High Return Loss

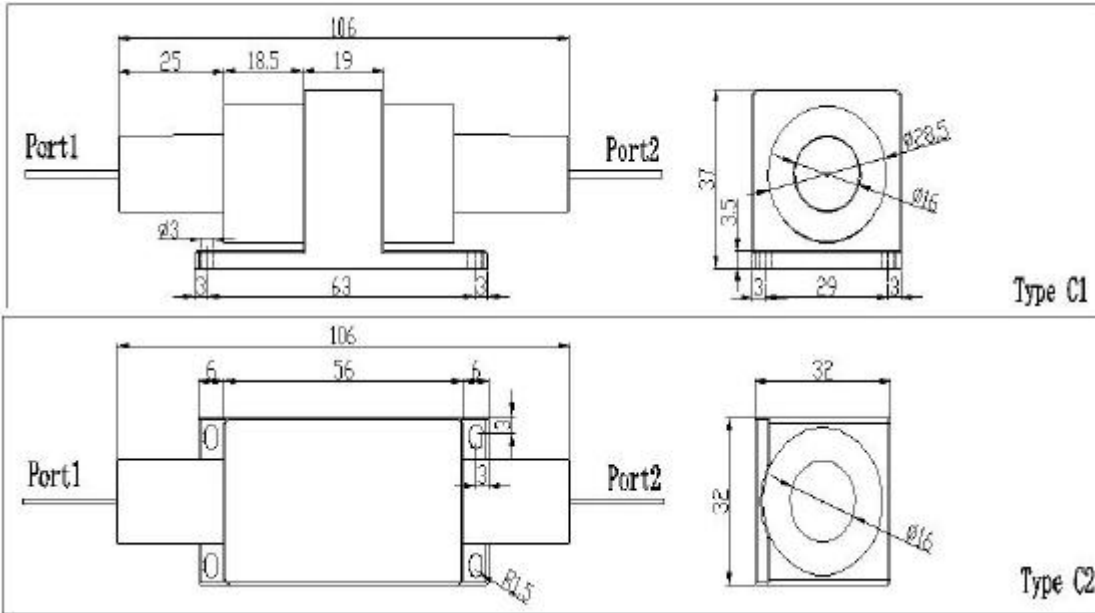
Applications

Fiber Laser
 Instrumentation
 Fiber Amplifier
 Lab Research

Performance Specifications

Parameters	Unit	Values
Center Wavelength (λ_c)	nm	980
Operating Wavelength Range	nm	± 10
Max. PDL	dB	0.1
Typ. Peak Isolation	dB	30-35
Min. Isolation at 23°C	dB	25
Typ. Insertion Loss at 23°C	dB	0.8
Max. Insertion Loss at 23°C	dB	1.2
Min. Return Loss (input/output)	dB	50/50
Max. Optical Power (CW)	W	1
Max. Tensile Load	N	5
Fiber Type		HI 1060 Fiber
Operating Temperature	°C	0 to +60
Storage Temperature	°C	-20 to +75

Size



Ordering Information

HP11-①①-②-③③-④④-⑤		
①①: Wavelength	③③: Connector Type on Port 1 & 2	④④: Fiber Type on Port 1 & 2
98 - 980nm	1 - FC/UPC	L - 900um Loose Tube
SS - Specify	2 - FC/APC	C - 3mm Loose Cable
	3 - SC/UPC	S - Specify
②: Package Type	4 - SC/APC	
C1 -Type C1	N - None	⑤: Fiber Length
C2 -Type C2	S - Specify	1 - 1.0m
		S - Specify